

NOTES:

- MATERIAL:
 - HOUSING: MATERIAL IS LCP GF40%, UL 94 V-0
 - ACTUATOR: MATERIAL IS NYLON-6T GF30%, UL 94 V-0
 - CONTACT: COPPER ALLOR
 - FITTING NAIL: COPPER ALLOR
- FINISH:
 - CONTACT AREA:
 - 50u" NICKEL UNDERPLATING OVERALL.
 - N: 80u" MIN MATTE TIN PLATING ON CONTACT AREA.
 - 1: GOLD FLASH PLATING ON CONTACT AREA.
 - W:1u"MIN GOLD PLATED ON CONTACT AREA
 - A:3u"MIN GOLD PLATED ON CONTACT AREA
 - SOLDER AREA:
 - 50u" NICKEL UNDERPLATING OVERALL.
 - N: 80u" MIN MATTE TIN PLATING ON SOLDER AREA.
 - 1: GOLD FLASH PLATING ON SOLDER AREA.
 - W: 1u"MIN GOLD PLATED ON SOLDER TAIL
 - A: GOLD FLASH PLATING ON SOLDER AREA.
 - FITTING NAIL:
 - 50u" MIN NICKEL UNDERPLATING OVERALL.
 - 80u" MIN MATTE TIN PLATING ON SOLDER TAILS.
- REFLOW SOLDER CAPABLE TO 260°C PER ACES SPEC.
- SPEC. PLS. REFER TO PS-51503-xxxxx-xxx
- PACKAGE PLS. REFER TO 51678-xxxxx-xx-TRP
- PART NUMBER

51678-XXX X X-XXX

XXX	HOUSING MATERIAL&COLOR	ACTUATOR MATERIAL&COLOR	HALOGEN FREE
	001 HALOGEN FREE PLASTIC & NATURAL	HALOGEN FREE PLASTIC & BLACK	HF

NO OF CKT PACKING

PLATING

1: GOLD FLASH(LEAD FREE)

N: MATTE TIN

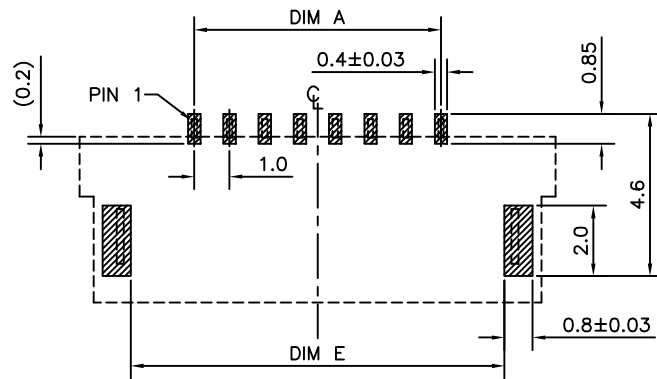
W:1u"MIN GOLD PLATED ON CONTACT AREA

A:3u"MIN GOLD PLATED ON CONTACT AREA

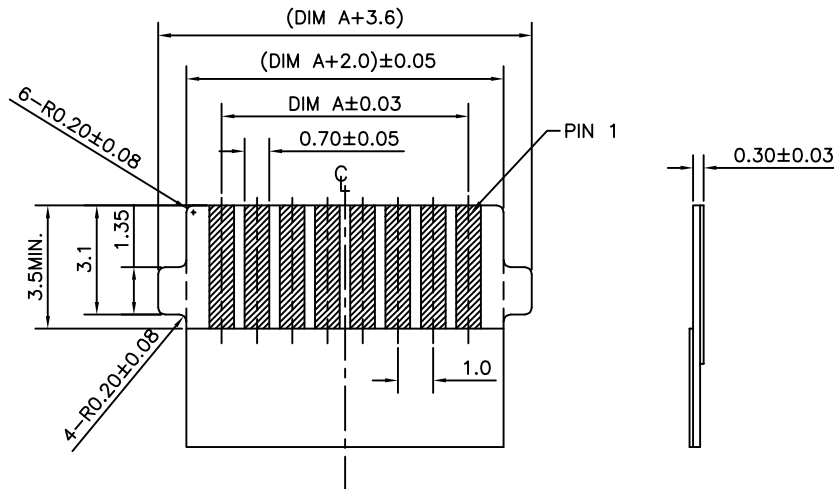
0: TAPE & REEL

CKT	DIM A	DIM B	DIM C	DIM D	DIM E
4	3.0	5.07	7.2	9.5	6.6
6	5.0	7.07	9.2	11.5	8.6
8	7.0	9.07	11.2	13.5	10.6

QUALITY SYMBOLS	DRAWN BY	DATE	ACES ELECTRONICS			
MAJOR	Xu, Bin	'22/08/05				
CRITICAL	CHECKED BY	DATE	TITLE			
GENERAL TOLERANCES (UNLESS SPECIFIED)	Xu, Zhi Yong	'22/08/05			1.0mm PITCH EASY ON FPC Conn. H=1.8mm TYPE	
X. ±0.5	APPROVED BY	DATE	UNITS	SIZE		
.X ±0.25	Xu, Zhi Yong	'22/08/05	mm		A4	51678-XXXXX-XXX
.XX ±0.15			SCALE	SHEET NO.	REV	PART NO.
.XXX ±0.1			4:1	1 OF 2	E	
ANGLES ±2°						SEE NOTES



RECOMMENDED PCB LAYOUT
GENERAL TOLERANCE ±0.05



RECOMMENDED FPC/FFC DIMENSIONS
GENERAL TOLERANCE ±0.05

CKT	DIM A	DIM B	DIM C	DIM D	DIM E
4	3.0	5.07	7.2	9.5	6.6
6	5.0	7.07	9.2	11.5	8.6
8	7.0	9.07	11.2	13.5	10.6

QUALITY SYMBOLS MAJOR CRITICAL GENERAL TOLERANCES (UNLESS SPECIFIED) X. ±0.5 .X ±0.25 .XX ±0.15 .XXX ±0.1 ANGLES ±2°	DRAWN BY	DATE			
	Xu, Bin	'22/08/05			
	CHECKED BY	DATE	TITLE 1.0mm PITCH EASY ON FPC Conn. H=1.8mm TYPE		
	Xu, Zhi Yong	'22/08/05			
	APPROVED BY	DATE	UNITS	SIZE	DWG NO.
	Xu, Zhi Yong	'22/08/05	mm	A4	51678-XXXXX-XXX
	SCALE	SHEET NO.	REV	PART NO.	
	4:1	2 OF 2	E		SEE NOTES